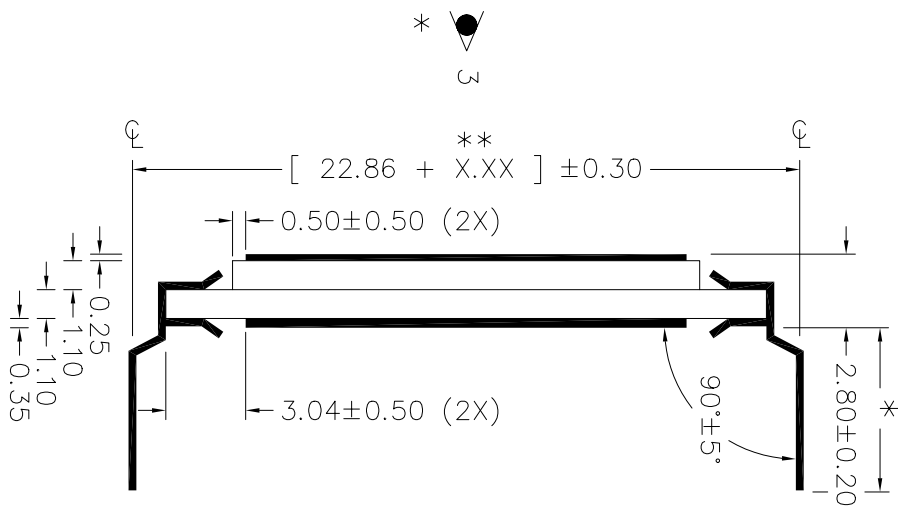
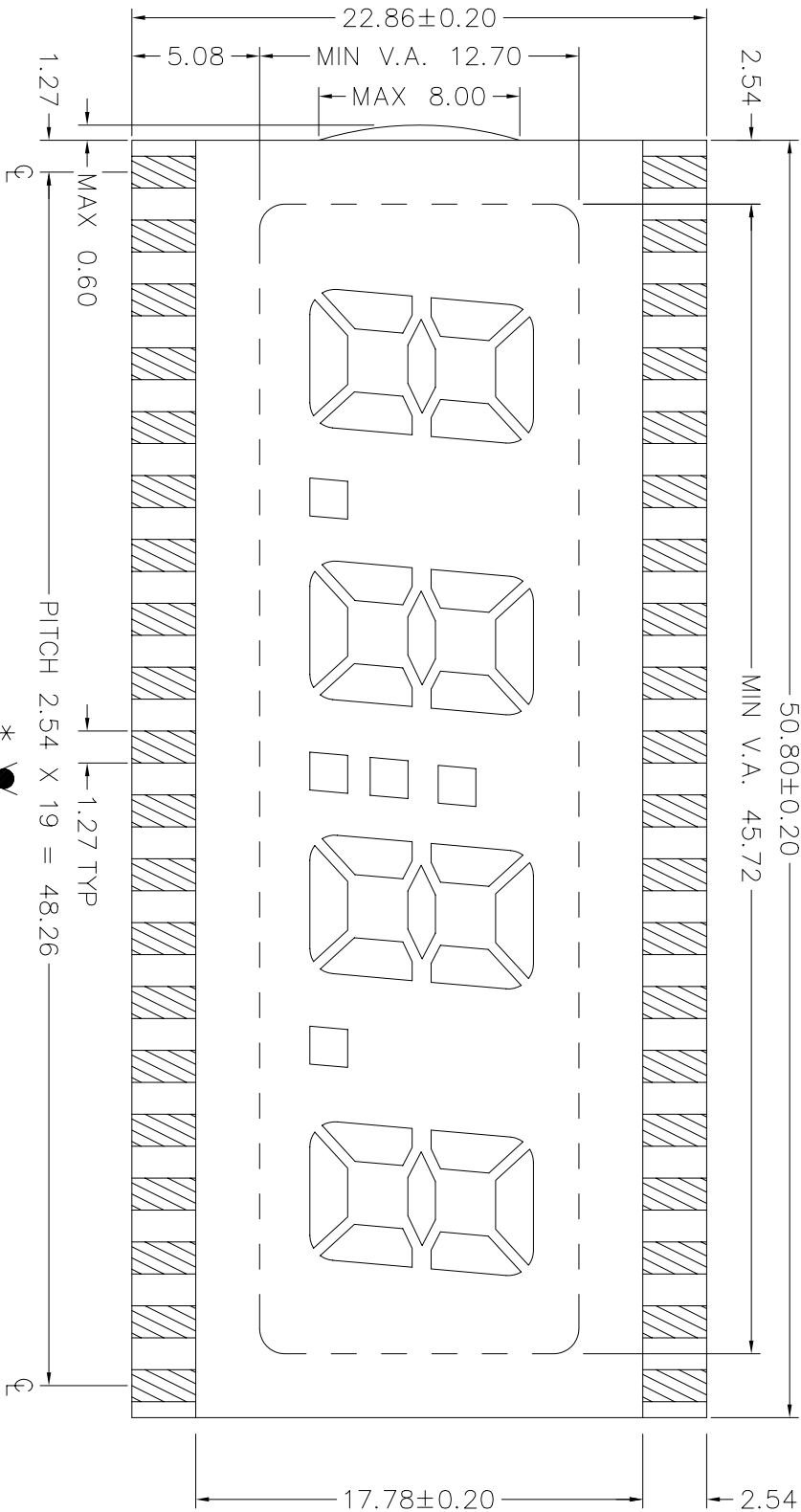


12



REMARKS : 1) * = REFER TO COVER PAGE

2) ** ---- X.XX = 2.54 (FOR PIN LENGTH \geq 3.20 & \leq 10.00mm)

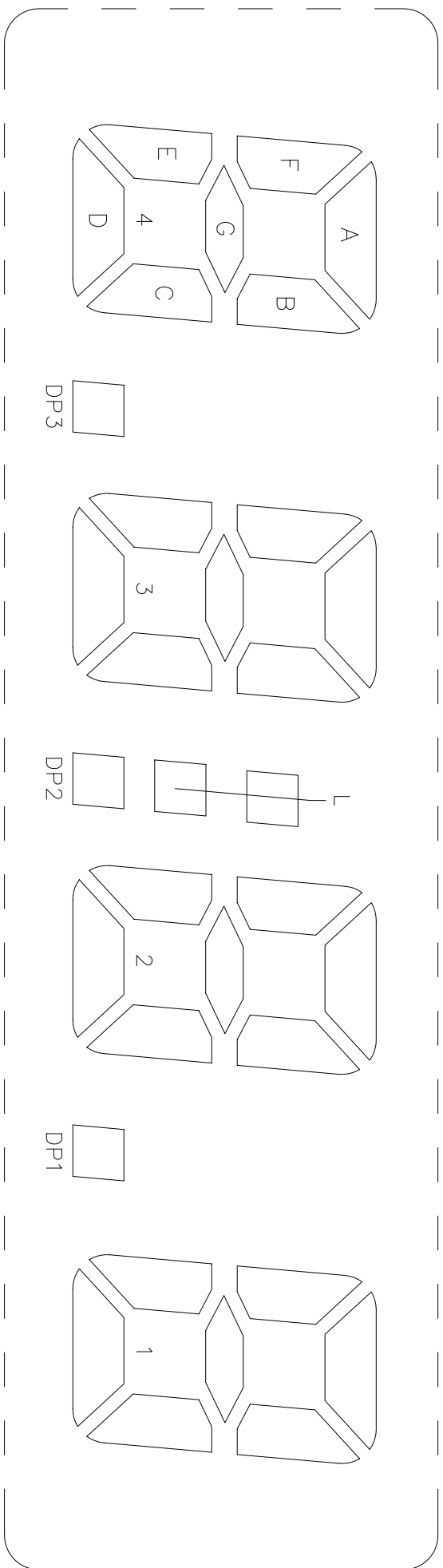
** ---- X.XX = 1.75 (FOR PIN LENGTH $>$ 10.00 & \leq 19.50mm)

<p>DWG.ND : VI-401-DP</p>		<p>REV 0</p>	
<p>VARITRONIX LTD.</p>		<p>Dimension : mm</p>	
<p>Drawn by : YIN</p>		<p>TDL : ± 0.15 IF NOT SPECIFY</p>	
<p>Checked by :</p>		<p>DD NOT SCALE DRAWING</p>	
<p>Date :</p>		<p>Date : 98-07-13</p>	
		<p>3rd ANGLE PROJECTION</p>	

PIN40

DWG.NO. : VI-401-DP (REV.0)

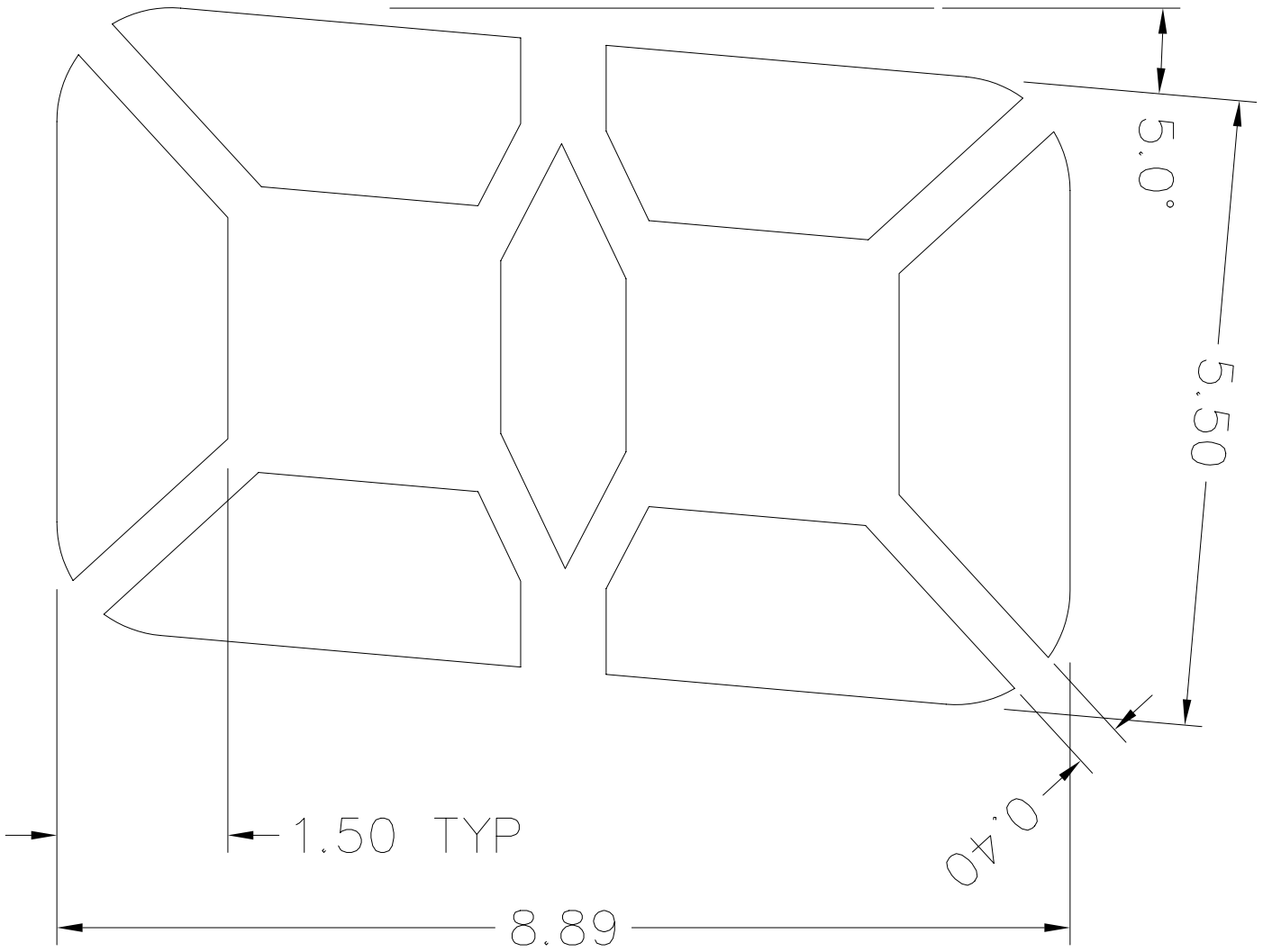
PIN21



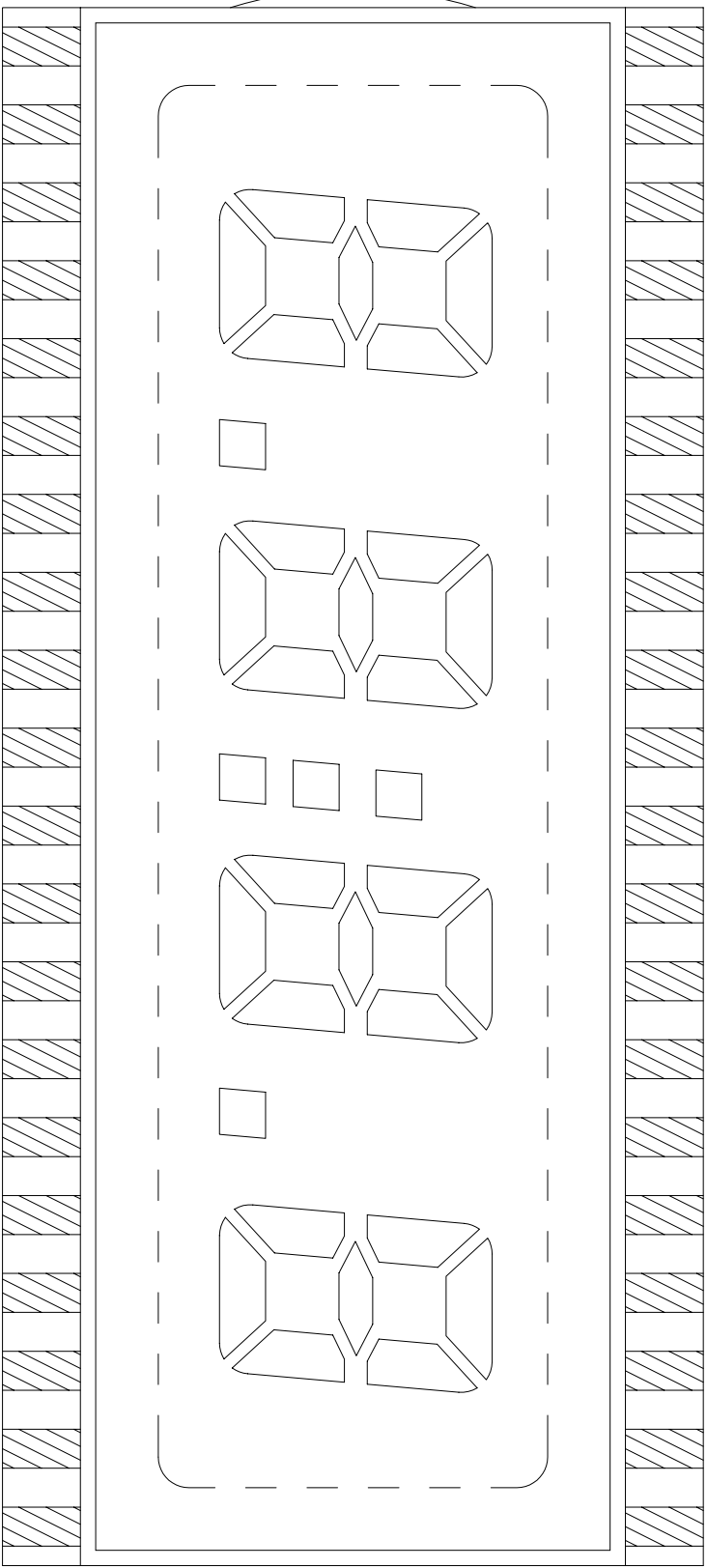
PIN1

PIN20

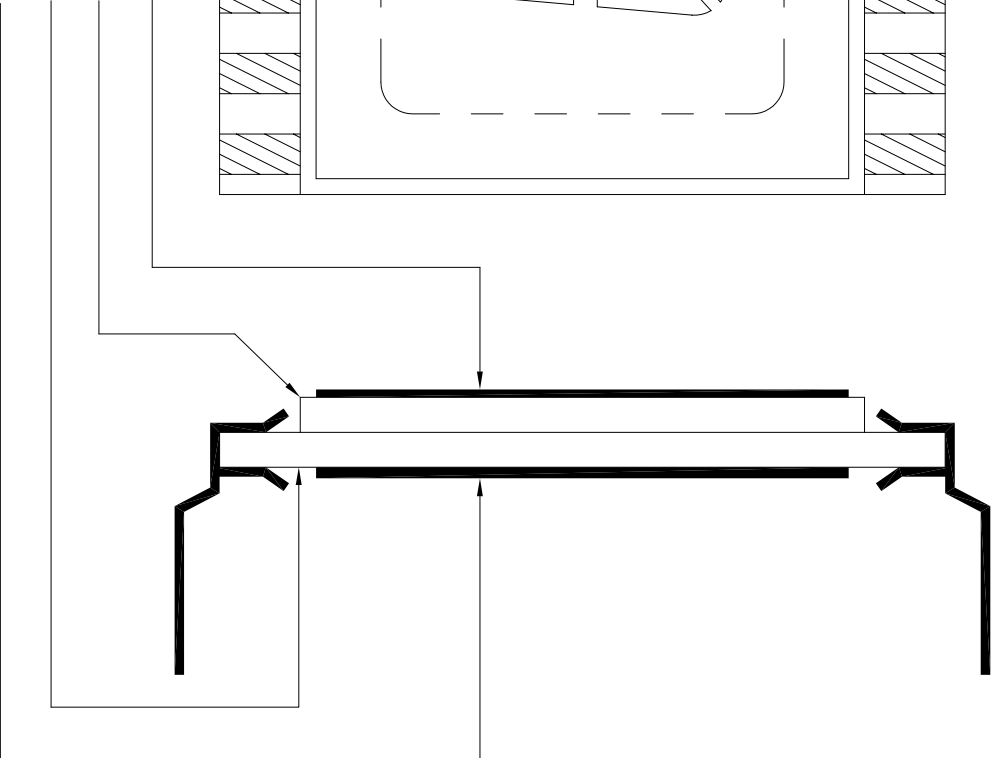
DWG.NO. : VI-401-DP (REV.0)



DWG.NO. : VI-401-DP (REV.0)



FRONT POLARIZER
FRONT GLASS
BACK GLASS
BACK POLARIZER



DWG. NO. : VI-401-DP (REV.0)

PIN	COM1	PIN	COM1
1	COM1	21	1A
2	N.C.	22	1F
3	N.C.	23	1G
4	N.C.	24	2B
5	4E	25	2A
6	4D	26	2F
7	4C	27	2G
8	DP3	28	L
9	3E	29	3B
10	3D	30	3A
11	3C	31	3F
12	DP2	32	3G
13	2E	33	N.C.
14	2D	34	4B
15	2C	35	4A
16	DP1	36	4F
17	1E	37	4G
18	1D	38	N.C.
19	1C	39	N.C.
20	1B	40	COM1

REMARKS : 1) N.C. = NO CONNECTION

2) P.C.B. LINKAGE : PIN 1 & PIN 40